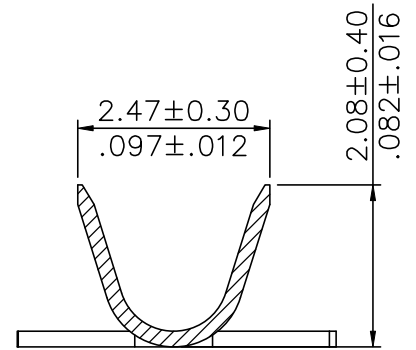


SEC: B-B
SCALE 10:1



SEC: A-A
SCALE 10:1


Wire Range	Insulation Diameter	Reel Q'ty
AWG #26~#28	φ0.85~φ1.40mm	15,000

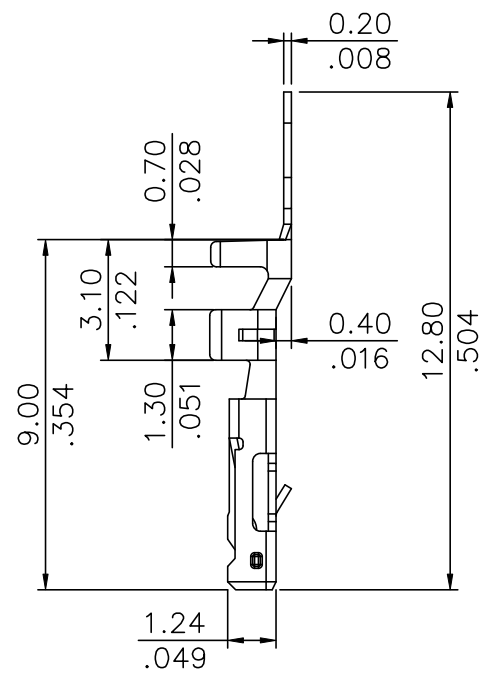
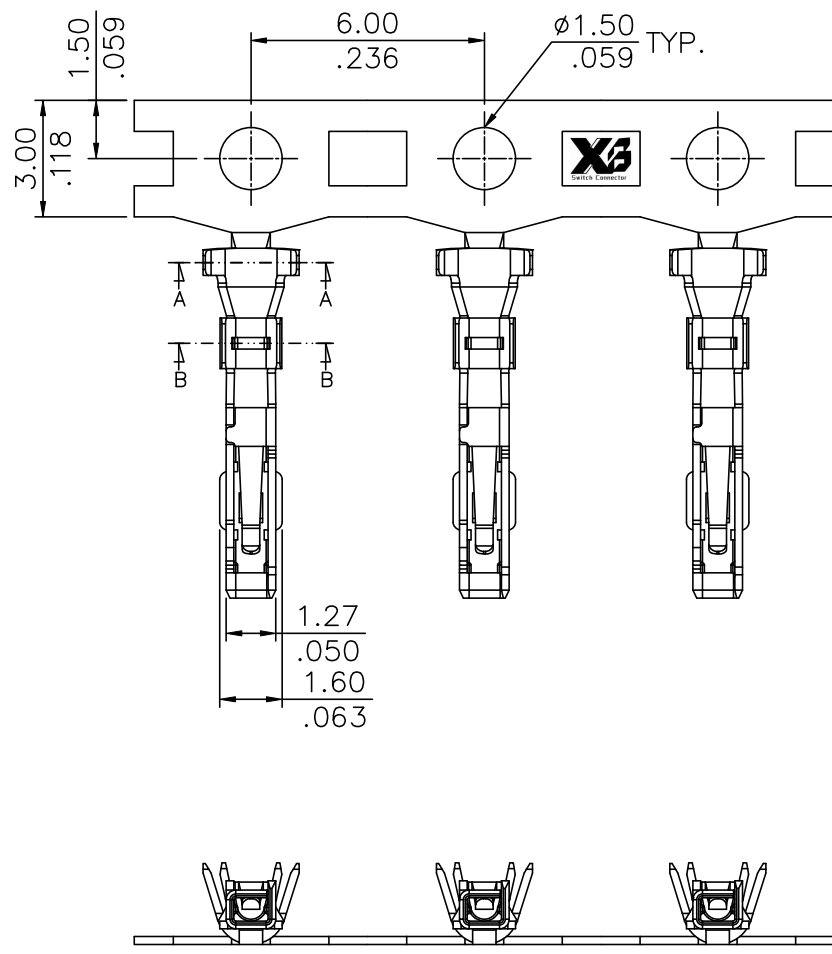
Ordering Code:

CIEW T02 1 P P 0
① ② ③ ④ ⑤ ⑥

- ① Series No.
- ② Type: T02= AWG#26~#28
- ③ Plating option:
1= Tin over Nickel
- ④ Material: P= Phosphor Bronze
- ⑤ Plating method: P= Post Plating
- ⑥ Option: 0= Standard

RoHS Compliant

4					DATE	UNIT: mm / inch	TITLE:	 东莞市溪榜电子有限公司 DONG GUAN XI BANG ELECTRONICS CO., LTD.		
3				DRAWN BY: Eric	1/11-24'	TOLERANCE UNLESS OTHERWISE SPECIFIED	FOR CIEW SERIES TERMINAL			
2				ENGINEER: Eric	1/11-24'	.X ± 0.30/.012 X' ± 1'	MATERIAL:			
5				CHECKED BY: Eislely	1/11-24'	.XX ± 0.20/.008 .X' ±	FINISH:			
SYM	NAME	DATE	REVISIONS	APPROVED BY: Eislely	1/11-24'	.XXX ± 0.10/.004 .XX' ±				
							DRAWING NO.	CIEWO3SA	PART NO.	CIEWT021PPO
							SCALE	5 / 1	SHEET	1 OF 1

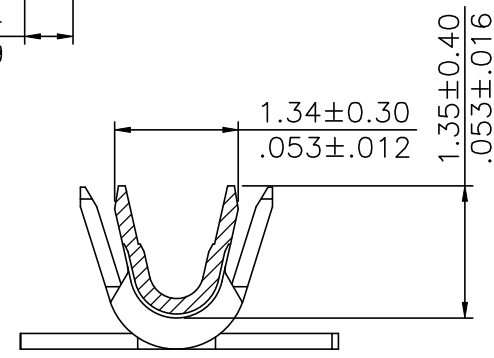
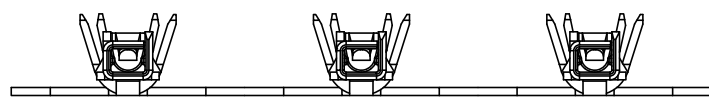


Wire Range	Insulation Diameter	Reel Q'ty
AWG #22~#24	$\phi 0.95 \sim \phi 1.50 \text{mm}$	15,000

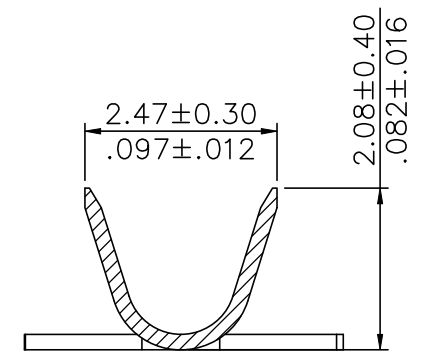
Ordering Code:

CIEW T03 1 P P 0
 ① ② ③ ④ ⑤ ⑥

- ① Series No.
- ② Type: T03= AWG#22~#24
- ③ Plating option:
1= Tin over Nickel
- ④ Material: P= Phosphor Bronze
- ⑤ Plating method: P= Post Plating
- ⑥ Option: 0= Standard



SEC: B-B
SCALE 10:1



SEC: A-A
SCALE 10:1

RoHS Compliant

SYM	NAME	DATE	REVISIONS	APPROVED BY:	Eisley	1/11-24'	UNIT: mm / inch	TITLE:	FOR CIEW SERIES TERMINAL
4							TOLERANCE UNLESS OTHERWISE SPECIFIED	MATERIAL:	DRAWING NO. CIEWO4SA PART NO. CIEWT031PPO
3				DRAWN BY: Eric	1/11-24'	.X \pm 0.30/.012 .X' \pm 1'			
2				ENGINEER: Eric	1/11-24'	.XX \pm 0.20/.008 .X' \pm		FINISH:	SCALE 5 / 1 SHEET 1 OF 1
5				CHECKED BY: Eisley	1/11-24'	.XXX \pm 0.10/.004 .XX' \pm			

XB 东莞市溪榜电子有限公司
 Switch Connector DONG GUAN XI BANG ELECTRONICS CO., LTD.